

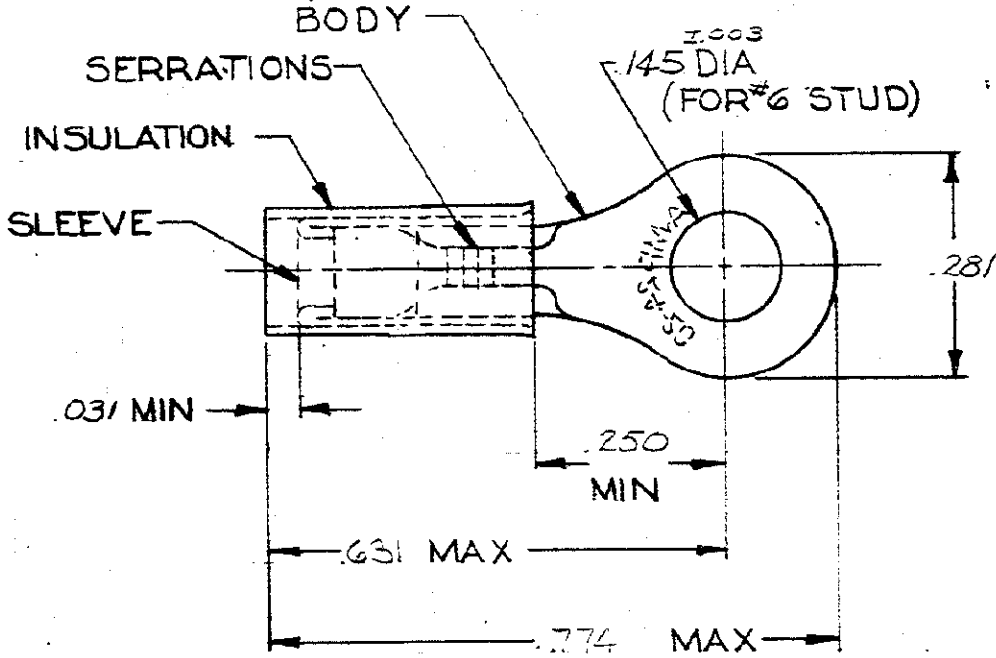
DRAWING MADE IN AMERICAN PROJECTION

LOC 6 14 PRINT 1/8"

© 1968 BY AMP INCORPORATED. ALL RIGHTS RESERVED. AMP PRODUCTS COVERED BY PATENTS AND/OR PATENTS PENDING.

REVISIONS			
LTR	DESCRIPTION	DATE	APPROVED
D	REDRAWN & ADDED TAPE NO'S	4-8-69	PHV
E	REVISED P-6075 WH	2-4-70	PHV
F	ADDED Z-323986-2 42-3 NPS 75-0340 WH	10-27-75	Q 10-27-75
G	OBS. 2--3 REV G 2588 RT	10-12-87	PMF

323986



FOR .040 TO .100 WIRE INSULATION DIA.  
TONGUE MATERIAL THK. = .023 ± .002

1	Z-323986-2 ON TAPE	<del>Z-323986-3</del> OBSOLETE	BODY & SLEEVE: COPPER (CQ-C-576) IN PL (AL-T-10727)
1	WIRE TERMINAL	Z-323986-2	INSULATION: NYLON (Z-203985, TYPE I) COLOR: BLACK
1	323986 ON TAPE	2-323986-1	BODY & SLEEVE: COPPER (CQ-C-576) IN PL (AL-T-10727)
1	WIRE TERMINAL	323986	INSULATION: NYLON (Z-203985, TYPE I)
QTY	DESCRIPTION	PART NO.	MATERIAL & FINISH

SEE TABLE

CONTRACT NO. \_\_\_\_\_

DR. *Am Ensminger* 4/7/69

CHK. *PHV* 4-8-69

APPD. *J. Young* 4/15/69

REV. *Am Ensminger* 4/15/69

DSGN APPD. \_\_\_\_\_

OTHER APPD. \_\_\_\_\_

**AMP** AMP INCORPORATED  
HARRISBURG, PENNSYLVANIA

NAME: WIRE TERMINAL  
P.I.D.G RING TONGUE  
WIRE SIZE: #24-20

SIZE	CODE IDENT NO.	NUMBER
A	00779	323986

SCALE: NTS | SHEET: 1 OF 1